

BENIDUB

DS71 DUB SIREN



User manual

Designed and manufactured by

BENIDUB
MUSIC EQUIPMENT

Calle San Antonio 1A
12192, Vilafames
Tel: +34 964 313 919

Support:

Sandro@benidub.com
+34 619 970 443

Technical Specifications:

Power Supply: 12VDC, center positive, 2.1 mm x 5.5mm barrel type connector.

Current draw: less than 100mA

Audio output: 1/4" balanced or unbalanced Jack

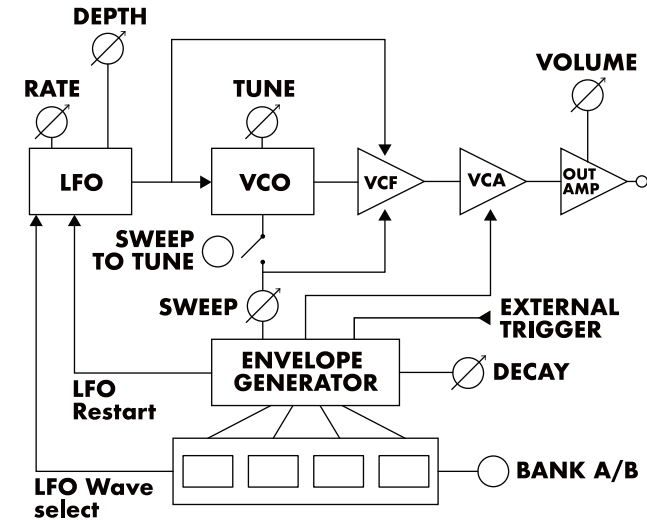
Trigger input: 1/4" unbalanced Jack

Size: 120x150x60 mm

Made in Spain



DS71-BLOCK DIAGRAM



Analog Synthesiser, exclusively
designed for
sound effects generation.

INTRODUCTION

The DS71 is a synthesiser designed to easily create many different dub siren tones at your fingertips. It combines analog synth voicing circuitry with a powerful digital LFO that allows a quick access to different sounds just by pressing a button.

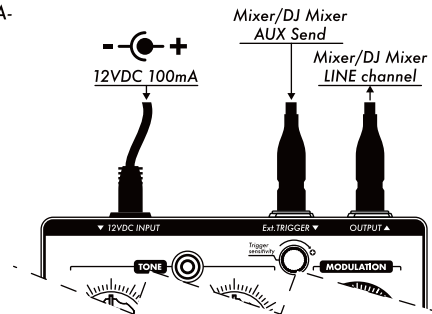
Each time a new sound is triggered the internal synth settings are immediately changed in order to adapt with the particular tone produced.

Just press one of the four keys, and the synth presets will be instantly recalled just before the sound starts.

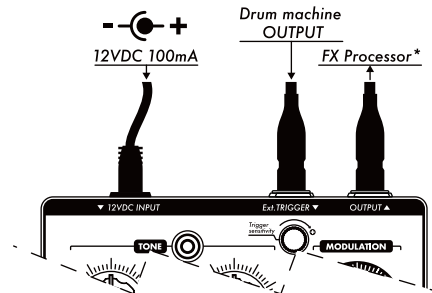
The DS71 also features the possibility to be played by a variety of external triggers and even audio just like the classic synthdrums modules to which is inspired to.

DS71 - TYPICAL WIRING

Example -A-



Example -B-



*NOTE: The FX processor must have a DRY/WET control

For a correct use of the Benidub DS71 Dub siren:

1 - Please, connect the siren to a mono LINE input of your mixer or preamp, do not use with MIC channels.

2 - If used with a DJ mixer, a mono 1/4" Jack to 2x RCA cable is needed to connect the siren to your mixer line input.

NOTE: the 1/4" Jack must be MONO, made with just 2 metal sections, if the jack is STEREO the siren will only be heard on the left channel of your system.

3 - If used with an external trigger, please use one of the following sources:

- Analog drum machine or sequencer positive trigger gates.
- Piezo electric drum pads.
- A "click" sound sequenced from your DAW.
- Any percussive sound, simply connect the trigger input to an AUX send of your mixer.(The DS71 volume and filter are both responsive to the trigger "velocity")

4 - Use just the provided power supply or one compatible (see specifications).

POWER INPUT:
12VDC 100mA, center positive,
2.1mm x 5.5mm barrel connector

TRIGGER INPUT:
1/4" balanced or unbalanced Jack

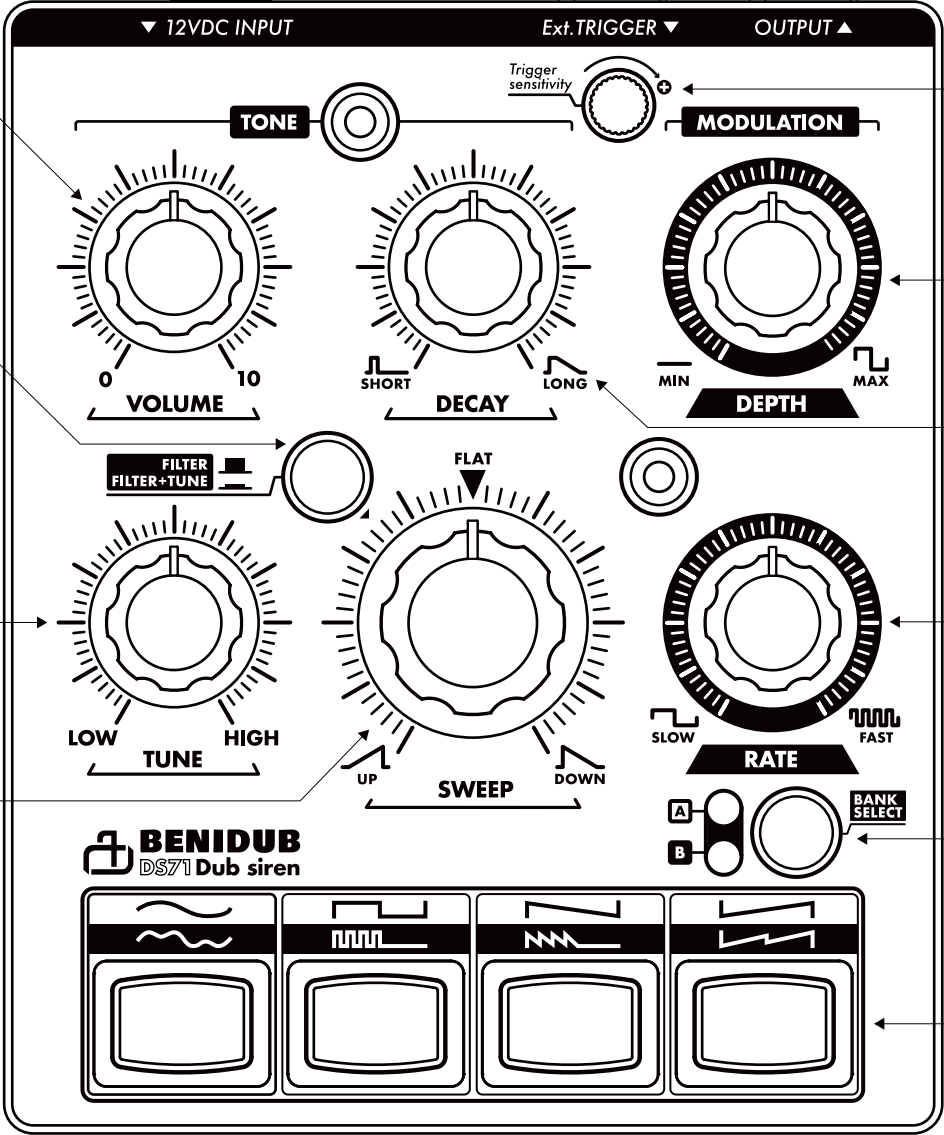
AUDIO OUTPUT:
1/4" balanced or unbalanced Jack

VOLUME:
Yes, there is one :)

SWEEP to TUNE:
It is possible to use the same SWEEP control, which is normally applied to the filter, also with the siren audio oscillator. In this way the sound's pitch will either fall or rise after releasing the trigger key, creating an evolving pattern together with filter and LFO.

TUNE:
Sets the audio oscillator base frequency, which extends from 30Hz to 9KHz.

SWEEP:
Controls the DS71 filter Cutoff frequency, while a key is pressed it behaves exactly like a normal synth cutoff knob. As soon as the key is released, SWEEP affects the filter's envelope while the sound fades out. When is set on "up", the filter will progressively open, when is set on "down" the filter will slowly close. When is set on "flat" the filter will stay in its central position.



Ext. TRIGGER SENSITIVITY:
Sets the external trigger level.

LFO DEPTH:
Sets the modulation amplitude: from zero, so a steady sound, to full LFO modulation in the last part of the range.

DECAY:
Sets how long a sound takes to completely fade out.

LFO RATE:
Sets the modulation cycles speed, from many seconds up to almost audio range. Each sound has its own preset LFO range. The LED visually indicates the LFO rate.

BANK SELECT:
Preset LFO waveforms are available, 4 in each bank.

TRIGGERS:
4 triggers allows to change the preset sounds instantly.